

RANGER

Sensor to Cloud Platform

PLUG-&-PLAY, INSTANT CONNECTIVITY OF A SENSOR TO THE CLOUD OVER CELLULAR NETWORKS

OPTIMIZED FOR BATTERY LIFE USING LATEST CELL MODEM TECHNOLOGY LTE CAT M1

MULTI INPUT/OUTPUT TO CONNECT TO A VARIETY OF SENSORS

MQTT & SPARKPLUG-B READY TO INTEGRATE WITH HOSTS OTHER THAN SIGNALFIRE CLOUD



FEATURES

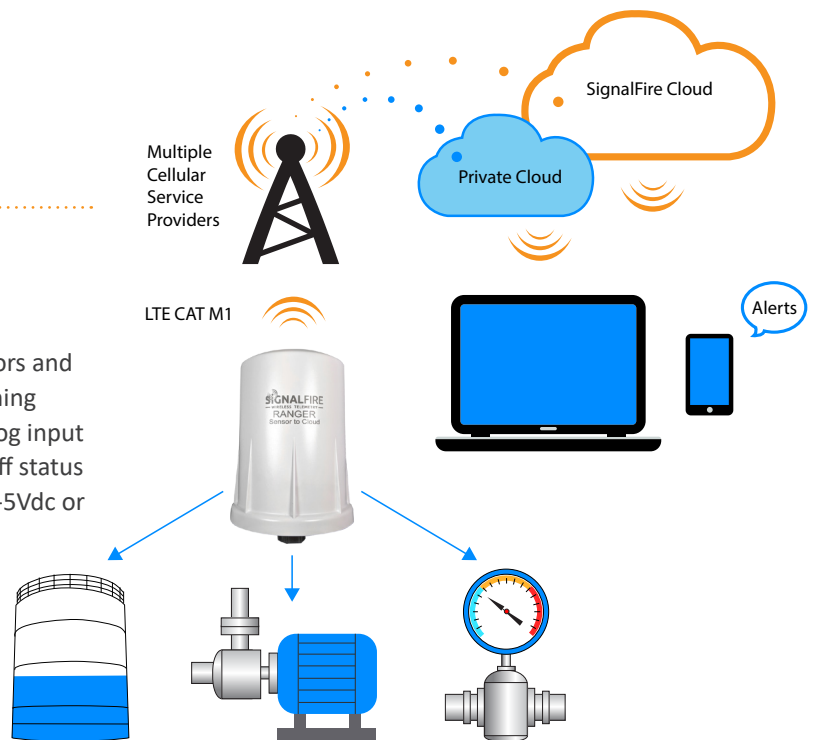
- LTE CAT M1 connectivity to cloud services
- Integrated inputs/output for multi-sensors
- Data location from built-in GPS
- SignalFire cloud monitoring/alarming service
- Powers sensors from battery or external solar

PRODUCT OVERVIEW

The SignalFire Ranger is an IoT (internet of things) cellular transmitter using the latest LTE CAT M1 technology for sensors and fully integrated with SignalFire's cloud monitoring and alarming services. The Ranger has two (2) digital inputs, one (1) analog input and one (1) relay output. The digital inputs can detect on/off status or frequencies up to 2kHz. The analog input can be set to 1-5Vdc or 4-20mA and powered by the built-in battery pack. The relay output is a single pole single throw N.O or N.C capable of loads up to 2A @ 30Vdc, 0.3A @ 110Vac or 0.5A @ 125Vac.

The Ranger comes complete with the mobile device ready SignalFire cloud interface to monitor, trend and get alarms either by text or email message. In addition, the cloud platform provides for remote configuration and troubleshooting of the Ranger node and its attached sensor(s). It is also possible to turn on/off the relay output from the cloud interface to remotely control pumps, motors, valves.

CONFIGURATION DIAGRAM



RANGER

Sensor to Cloud Platform

TECHNICAL SPECIFICATIONS

Operating Temp:

-40 to +185°F (-40 to 85°C)

Humidity: 0% - 100% condensing

Input Power:

- Four 3.6Vdc D sized Lithium Thionyl Chloride batteries
- Optional solar power
- Optional 10-30Vdc input

Input/Output:

Standard

- 1 Latching Relay Output (2A @ 30Vdc; 0.3A @ 110Vac; 0.5A @ 125Vac). Failsafe configurable
- 2 Digital Inputs report state, total counts, frequency (2kHz max), volume total with K Factor
- Analog Input (1-5Vdc or 4-20mA) configurable for flow totalizing mode

Optional Expansion Module

(one module possible per RANGER)

- 2 additional analog input and 1 additional digital input

- Modbus RTU – RS485 up to 8 slaves, 32 total registers (read/write)

HART Support: Future

Battery Life: Up to 5 years

Data Interface: LTE CAT M1 MQTT with SparkPlug B

Cellular Radio Power: 23dBm

Antenna Type: LTE w/ Internal GPS

Enclosure: Industrial polycarbonate UV Rated; IP64

Safety Rating: Class 1 Division 2 Certified, Groups A, B, C, D. Temperature Code T5. Certified to CSA C22.2 No. 213:2017, Conforms to UL 121201:2017

Electrical Connection: Pluggable terminal block, 16-30AWG screw terminals

Local Micro-USB Configuration Port

Weight: 1 lbs (0.6kg)

Estimated Monthly Data Usage:

Check-in interval dependent

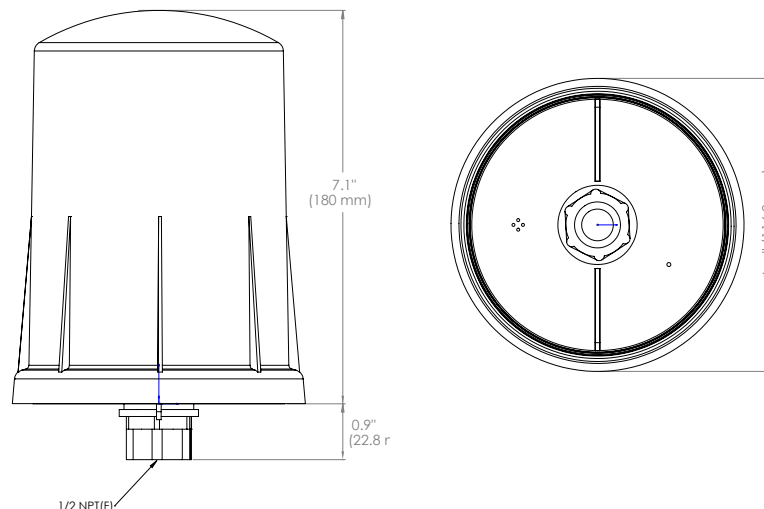
- 30 sec = 54 MB
- 1 min = 27 MB
- 5 min = 5.4 MB
- 15 min = 1.08 MB
- 60 min = 0.27 MB

Cellular Specifications:

- LTE band support:
Cat-M1: B1, B2, B3, B4, B5, B8, B12, B13, B14, B17, B20, B25, B26, B28, B66
- Supports 4FF SIM type
- Power saving features: eDRX
- Secure socket using TLS
- PTCRB Certified

connected by
verizon✓

DIMENSIONS

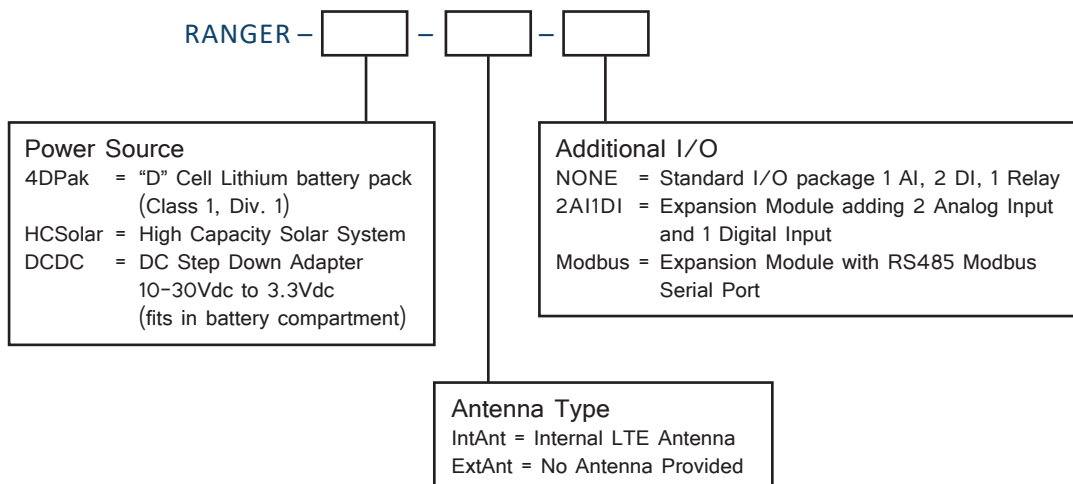


RANGER

Sensor to Cloud Platform

HOW TO ORDER

RANGER LTE M1 Transmitter



RANGER Accessories

