

SUBMERSIBLE MOTORS

4 INCH PREMIUM

PRODUCT INFORMATION & SERVICE MANUAL



SHAKTI

THE POWER OF INNOVATION, EFFICIENCY & TECHNOLOGY.

4 INCH ENCAPSULATED PREMIUM MOTOR

CONTENT

Product Information

General Data	01
Premium 100 Motor MOC	02
Premium 101 Motor MOC	03
Model Number Single Phase	04
Model Number Three Phase	05-06
Single Phase Performance Data 50 Hz.....	07-08
Three Phase Performance Data 50 Hz /60 Hz.....	09-10
Exploded View Premium 100	11
Sectional View Premium 100	12
Part List Premium 100.....	13
Exploded View Premium 101	14
Sectional View Premium 101	15
Part List Premium 101.....	16
Replacement Assembly Premium 100 / 101	17
Motor Outline Drawings Premium 100 / 101	18
Motor Length & Weights Premium 100 / 101	19

PRODUCT APPLICATION AND PRODUCT SPECIFICATION

GENERAL DATA

These 100 mm encapsulated motors, manufactured in ISO 9001:2015 certified facilities

Applications

This motor is built for dependable operation in 100 mm diameter or larger water wells. It is fitted with water lubricated radial and thrust bearings for a maintenance free operation. The motor is filled with a special fluid, providing frost protection down to -15°C storage temperature. A special diaphragm ensures pressure compensation inside the motor.

Product advantages

- Hermetically sealed stator, Anti track, self healing stator resin prevents motor burn out.
- High efficiency electrical design (low operation cost, cooler winding temperature).
- Removable water resistance lead connector.
- Motor with sand slinger.
- Cable material in accordance with regulations for drinking water.
- Water lubricated radial and thrust bearing.
- All motors pre-filled and 100% tested.
- Non contaminating, water-filled design.
- Max. storage temperature -15°C to +60°C.

Technical specification

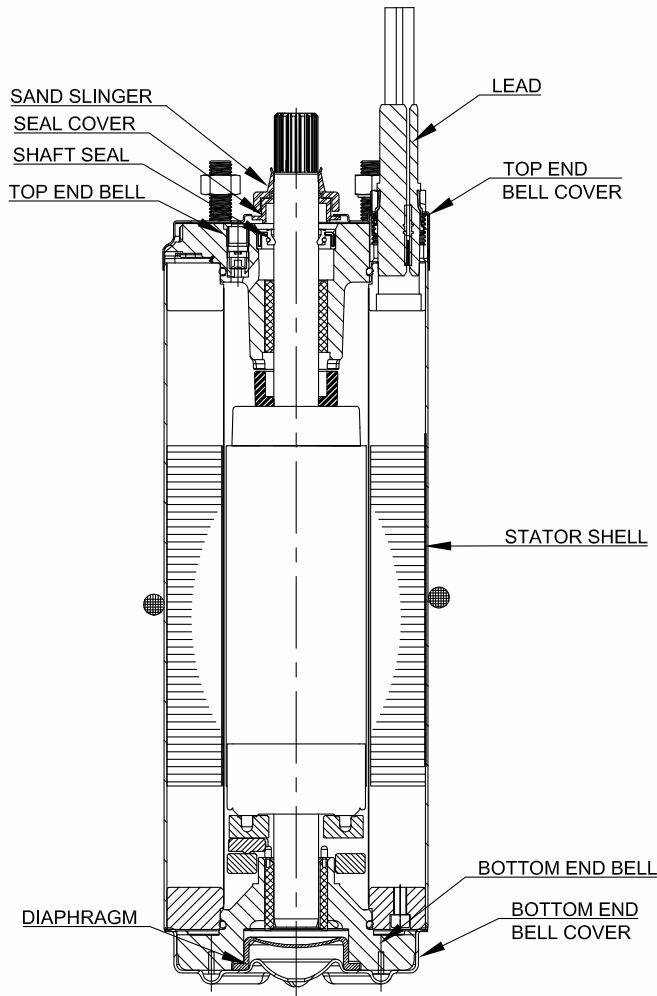
Power range	: 0.5 HP - 5 HP / 0.37 kW - 3.7 kW - Single phase
	: 0.5 HP - 10 HP / 0.37 kW - 7.5 kW - Three phase
Flange	: 100 mm NEMA
Degree of protection	: Ip68
Insulation Class	: F
Ambient temperature	: 30°C
Cooling flow	: 0.5 HP - 10 HP / 0.37 kW - 7.5 kW = 0.08 m/s
Starts/hr	: 20
Voltage tolerance	: +6% / -10% UN

4 INCH ENCAPSULATED PREMIUM MOTOR

MODEL NUMBERS - PREMIUM 100

SUBMERSIBLE MOTORS			
Material	Stainless Steel 304/316	Rating	0.37 kW - 1.5 kW
Type	Encapsulated	Thrust Rating	1500 - 6500 N

PREMIUM 100 (0.5 HP - 2 HP)



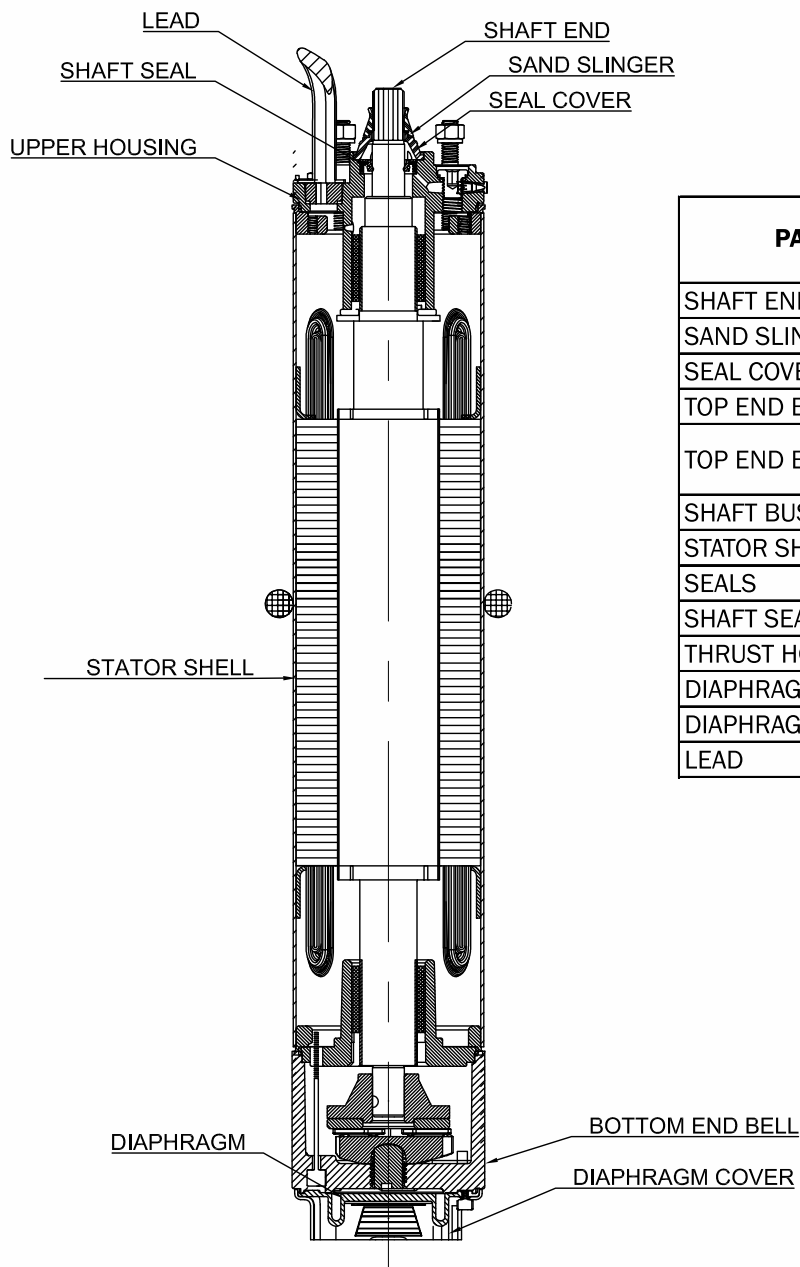
PART	MATERIAL	
	AISI SS 304	AISI SS 316
SHAFT END	DUPLEX	DUPLEX
SAND SLINGER	NBR	NBR
SEAL COVER	AISI SS 304	AISI SS 316
TOP END BELL COVER	AISI SS 304	AISI SS 316
TOP END BELL	CAST IRON POWER COATED	CAST IRON POWER COATED
SEALS	NBR	NBR
STATOR SHELL	AISI SS 304	AISI SS 316
SHAFT SEAL	EPDM + AISI SS 304	EPDM + AISI SS 304
BOTTOM END BELL	CAST IRON POWDER COATED	CAST IRON POWDER COATED
BOTTOM END BELL COVER	AISI SS 304	AISI SS 316
DIAPHRAGM	EPDM	EPDM
LEAD	XLPE	XLPE

4 INCH ENCAPSULATED PREMIUM MOTOR

MODEL NUMBERS - PREMIUM 101

SUBMERSIBLE MOTORS			
Material	Stainless Steel 304/316	Rating	2.2 kW - 7.5 kW
Type	Encapsulated	Thrust Rating	1500 - 6500 N

PREMIUM 101 (3 HP - 10 HP)



PART	MATERIAL	
	AISI SS 304	AISI SS 316
SHAFT END	DUPLEX	DUPLEX
SAND SLINGER	NBR	NBR
SEAL COVER	AISI SS 304	AISI SS 316
TOP END BELL COVER	AISI SS 304	AISI SS 316
TOP END BELL	CAST IRON POWDER COATED	CAST IRON POWDER COATED
SHAFT BUSH	NYLON 30% GLASS	NYLON 30% GLASS
STATOR SHELL	AISI SS 304	AISI SS 316
SEALS	NBR	NBR
SHAFT SEAL	EPDM+AISI SS 304	EPDM+AISI SS 304
THRUST HOUSING	AISI SS 304	AISI SS 316
DIAPHRAGM COVER	AISI SS 304	AISI SS 316
DIAPHRAGM	EPDM	EPDM
LEAD	XLPE	XLPE

4 INCH ENCAPSULATED PREMIUM MOTOR

MODEL NUMBERS

SUBMERSIBLE MOTORS			
Material	Stainless Steel 304/316	Rating	0.37 kW - 7.5 kW
Type	Encapsulated	Thrust Rating	1500 - 6500 N

MODEL NUMBERS OF SINGLE PHASE 4 INCH PREMIUM MOTORS-MODEL NUMBER 50 HZ

HP	KW	(V)/HZ	304	316
0.5	0.37	230 50HZ	9000008292	9000013251
0.75	0.55	230 50HZ	9000008294	9000013252
1	0.75	230 50HZ	9000008295	9000013253
1.5	1.1	230 50HZ	9000008296	9000013254
2	1.5	230 50HZ	9000013746	9000013255
3	2.2	230 50HZ	9000013747	9000013256
5	3.7	230 50HZ	9000008325	9000013258

4 INCH PREMIUM MOTORS-MODEL NUMBER 60 HZ

HP	KW	(V)/HZ	304	316
0.5	0.37	230 60HZ	9000008299	9000013259
0.75	0.55	230 60HZ	9000008300	9000013260
1	0.75	230 60HZ	9000008301	9000013261
1.5	1.1	230 60HZ	9000008302	9000013262
2	1.5	230 60HZ	9000013748	9000013263
3	2.2	230 60HZ	9000013749	9000013264
5	3.7	230 60HZ	9000008331	9000013266

4 INCH ENCAPSULATED PREMIUM MOTOR

MODEL NUMBERS

SUBMERSIBLE MOTORS			
Material	Stainless Steel 304/316	Rating	0.37 kW - 7.5 kW
Type	Encapsulated	Thrust Rating	1500 - 6500 N

MODEL NUMBERS OF THREE PHASE 4 INCH PREMIUM MOTORS- MODEL NUMBER 50/60 Hz

HP	KW	(V)/HZ	CONNECTION - STAR	
			304	316
0.5	0.37	380/400/415 50Hz 460 60 Hz	9000008274	9000013218
0.75	0.55	380/400/415 50Hz 460 60 Hz	9000008275	9000013219
1.0	0.75	380/400/415 50Hz 460 60 Hz	9000008276	9000013220
1.5	1.1	380/400/415 50Hz 460 60 Hz	9000008277	9000013221
2.0	1.5	380/400/415 50Hz 460 60 Hz	9000008278	9000013222
3.0	2.2	380/400/415 50Hz 460 60 Hz	9000013738	9000013223
4.0	3.0	380/400/415 50Hz 460 60 Hz	9000013739	9000013224
5.0	3.7	380/400/415 50Hz 460 60 Hz	9000008307	9000013225
5.5	4.0	380/400/415 50Hz 460 60 Hz	9000008308	9000013315
7.5	5.5	380/400/415 50Hz 460 60 Hz	9000008309	9000013227
10	7.5	380/400/415 50Hz 460 60 Hz	9000008310	9000013228

HP	KW	(V)/HZ	CONNECTION - DELTA	
			304	316
0.5	0.37	230 60 Hz	9000008280	9000013229
0.75	0.55	230 60 Hz	9000008281	9000013230
1.0	0.75	230 60 Hz	9000008282	9000013231
1.5	1.1	230 60 Hz	9000008283	9000013232
2.0	1.5	230 60 Hz	9000008284	9000013233
3.0	2.2	230 60 Hz	9000013741	9000013234
4.0	3	230 60 Hz	9000013742	9000013235
5.0	3.7	230 60 Hz	9000008313	9000013236
5.5	4.0	230 60 Hz	9000008314	9000013316
7.5	5.5	230 60 Hz	9000008315	9000013238
10	7.5	230 60 Hz	9000008316	9000013239

4 INCH ENCAPSULATED PREMIUM MOTOR

MODEL NUMBERS

SUBMERSIBLE MOTORS			
Material	Stainless Steel 304/316	Rating	0.37 kW - 7.5 kW
Type	Encapsulated	Thrust Rating	1500 - 6500 N

4 INCH PREMIUM MOTORS- MODEL NUMBERS 60 Hz

HP	KW	(V)/HZ	CONNECTION - STAR	
			304	316
0.5	0.37	380 60HZ	9000008286	9000013240
0.75	0.55	380 60HZ	9000008287	9000013241
1	0.75	380 60HZ	9000008288	9000013242
1.5	1.1	380 60HZ	9000008289	9000013243
2	1.5	380 60HZ	9000008290	9000013244
3	2.2	380 60HZ	9000013744	9000013245
4	3	380 60HZ	9000013745	9000013246
5	3.7	380 60HZ	9000008319	9000013247
5.5	4.0	380 60HZ	9000008320	9000013317
7.5	5.5	380 60HZ	9000008321	9000013249
10	7.5	380 60HZ	9000008322	9000013250

4 INCH ENCAPSULATED PREMIUM MOTOR

MOTOR PERFORMANCE DATA

SUBMERSIBLE MOTORS			
Material	Stainless Steel	Rating	0.37 kW - 3.7 kW
Type	Encapsulated	Thrust Rating	1500 - 1600 N

SINGLE PHASE MOTOR SPECIFICATION (50 HZ) 2850 RPM

RATING					FULL LOAD WATTS	LINE TO LINE (1) RESISTANCE (OHMS)		EFFICIENCY %			POWER FACTOR %			LOCKED ROTOR AMPS	CIRCUIT BREAKERS OR FUSE AMPS TYPICAL SUBMERSIBLE	
[HP]	[KW]	VOLTS	LINE VOLTS	AMPS		MAIN	START	100	75	50	100	75	50		NONTIME DELAY (STD) FUSE OR CICUIT BREAKE	DUEL ELEMENT TIME DELAY FUSE
0.5	0.37	230	230	2.8	601	7.5	10.73	62	60	58	0.91	0.89	0.87	11.2	15.0	4.5
0.75	0.55	230	230	3.8	828	6.66	6.85	68	66	64	0.95	0.93	0.91	15.2	15.0	7.0
1.0	0.75	230	230	4.9	1096	4.57	9.38	69	66	64	0.96	0.94	0.92	19.6	20.0	9.0
1.5	1.1	230	230	7.5	1590	3.1	11.3	70	68	66	0.92	0.90	0.88	30.0	20.0	12.0
2.0	1.5	230	230	10.3	2136	2.03	8.08	72	70	68	0.9	0.88	0.86	41.2	30.0	15.0
3.0	2.2	230	230	14.5	3296	1.57	3.84	67	65	63	0.98	0.96	0.94	58	50.0	25.0
5.0	3.7	230	230	22.3	5239	1.19	2.31	73	71	69	0.98	0.96	0.94	89.2	70.0	30.0

(1) Main winding - yellow to black
Start winding - yellow to red

(2) Thrust rating for
0.37 - 1.5 kW is 1500N
2.2 - 7.5 kW is 6500N

4 INCH ENCAPSULATED PREMIUM MOTOR

MOTOR PERFORMANCE DATA

SUBMERSIBLE MOTORS			
Material	Stainless Steel	Rating	0.37 kW - 3.7 kW
Type	Encapsulated	Thrust Rating	1500 - 1600 N

SINGLE PHASE MOTOR SPECIFICATION (60 HZ) 3450 RPM, 1.1 SERVICE FACTOR

RATING					FULL LOAD		MAXIMUM LOAD		WINDING (1) RES. IN OHMS	EFFICIENCY %		POWER FACTOR %		LOCKED ROTOR AMPS
[HP]	[KW]	VOLTS	HZ	S.F.	(2) AMPS	WATTS	(2) AMPS	WATTS	M= MAIN RES. S=START RES.	S.F.	F.I.	S.F.	F.I.	
0.5	0.37	230	60	1.1	Y=3.5	639	Y=3.85	703	M=5.64,S=7.86	63	59	0.90	0.90	14.0
					B=3.2		B=3.52							
					R=1.8		R=1.98							
0.75	0.55	230	60	1.1	Y=4.3	824	Y=4.73	906	M=5.13,S=5.23	73	68	0.97	0.97	17.2
					B=3.1		B=3.41							
					R=2.2		R=2.42							
1.0	0.75	230	60	1.1	Y=7.3	1090	Y=8.03	1199	M=4.65,S=5.5	75	70	0.99	0.99	29.2
					B=4.2		B=4.62							
					R=2.2		R=2.42							
1.5	1.1	230	60	1.1	Y=8.7	1588	Y=9.57	1747	M=2.28,S=6.55	76	70	0.87	0.87	34.8
					B=7.4		B=8.14							
					R=2.2		R=2.42							
2.0	1.5	230	60	1.1	Y=10.0	2055	Y=11.0	2260	M=1.73,S=4.18	79	73	0.89	0.89	40.0
					B=9.1		B=10.0							
					R=2.7		R=2.97							
3.0	2.2	230	60	1.1	Y=16.5	3045	Y=18.15	3350	M=1.21,S=1.96	78	72	0.95	0.95	66.0
					B=12.4		B=13.64							
					R=5.4		R=5.94							
5.0	3.7	230	60	1.1	Y=23.0	5156	Y=25.3	5671	M=0.75,S=1.16	78	72	0.96	0.96	92.0
					B=20.0		B=22.0							
					R=10.3		R=11.33							

(1) Main winding - yellow to black
Start winding - yellow to red

(2) Y= Yellow lead -line amps
B= Black lead - main winding amps
R= Red lead - start or auxillary winding amps.

(3) Thrust rating for
0.37 - 1.5 kW is 1500N
2.2 - 7.5 kW is 6500N

4 INCH ENCAPSULATED PREMIUM MOTOR

MOTOR PERFORMANCE DATA

SUBMERSIBLE MOTORS				
Material	Stainless Steel		Rating	0.37 kW - 7.5 kW
Type	Encapsulated		Thrust Rating	1500 - 6500 N

THREE PHASE MOTOR SPECIFICATION (50 HZ) 2850 RPM

RATING				FULL LOAD WATTS	LINE TO LINE (1) RESISTANCE (OHMS)	EFFICIENCY %		POWER FACTOR %	LOCKED ROTOR AMPS	CIRCUIT BREAKERS OR FUSE AMPS TYPICAL SUBMERSIBLE	
[HP]	[KW]	VOLTS	AMPS			F.I.	F.I.			NONTIME DELAY (STD) FUSE OR CICUIT BREAKE	DUEL ELEMENT TIME DELAY FUSE
0.5	0.37	380	1.1	580	34-1-35.8	65	0.75	4.4	15	1.2	
		400	1.1	600		66	0.75	4.4			
		415	1.1	624		67	0.75	4.4			
0.75	0.55	380	1.5	816	34-1-35.8	68	0.86	6.0	15	1.8	
		400	1.4	824		68	0.84	5.6			
		415	1.4	832		69	0.82	5.6			
1.0	0.75	380	2.2	1050	15.83-16.62	73	0.72	8.8	15	2.5	
		400	2.3	1080		72	0.68	9.2			
		415	2.3	1104		72	0.65	9.2			
1.5	1.1	380	3.1	1536	12.75-13.38	75	0.83	12.4	15	3	
		400	2.7	1584		76	0.83	10.8			
		415	2.7	1608		76	0.81	10.8			
2.0	1.5	380	3.6	2040	8.18-8.58	74	0.76	14.4	15	4.5	
		400	4.1	2088		74	0.74	16.4			
		415	4.1	2112		74	0.71	16.4			
3.0	2.2	380	5.7	2956	4.12-4.32	76	0.73	22.8	15	7	
		400	6.3	3024		76	0.69	25.2			
		415	6.5	3072		75	0.66	26.0			
4.0	3.0	380	8.0	4056	3.37-3.53	76	0.77	32.0	20	9	
		400	8.1	4104		75	0.73	32.4			
		415	8.4	4176		75	0.69	33.6			
5.0	3.7	380	9.0	4896	2.57-2.69	76	0.74	36.0	25	10	
		400	10.2	4944		76	0.70	40.8			
		415	10.7	5088		74	0.66	42.8			
5.5	4.0	380	10.0	5275	2.66-2.79	77	0.76	40.0	25	12	
		400	10.4	5208		76	0.72	41.6			
		415	10.6	5222		76	0.68	42.4			
7.5	5.5	380	13.0	7194	2.29-2.40	76	0.81	52.0	35	15	
		400	13.4	7324		76	0.79	53.6			
		415	13.5	7428		76	0.76	54.0			
10.0	7.5	380	19.0	9812	1.82-1.91	77	0.83	76.0	50	25	
		400	18	9960		77	0.80	72.0			
		415	18.3	10128		77	0.77	73.2			

(1) Thrust rating for
 0.37 - 1.5 kW is 1500N
 2.2 - 7.5 kW is 6500N

4 INCH ENCAPSULATED PREMIUM MOTOR

MOTOR PERFORMANCE DATA

SUBMERSIBLE MOTORS			
Material	Stainless Steel 304/316	Rating	0.37 kW - 7.5 kW
Type	Encapsulated	Thrust Rating	1500 - 6500 N

THREE PHASE MOTOR SPECIFICATION (60 HZ) 3450 RPM, 1.1 SERVICE FACTOR

RATING					FULL LOAD		MAXIMUM LOAD		LINE TO LINE RESISTENCE IN OHMS	EFFICENCY%		LOCKED ROTOR AMPS
[HP]	[KW]	VOLTS	HZ	S.F.	AMPS	WATTS	AMPS	WATTS		S.F.	F.L.	
0.5	0.37	230	60	1.1	2.1	585	2.3	643	9.8-10.29	77	71	8.4
		380			1.1	585	1.2	643	23.53-24.70	67	62	4.4
		460			1.1	576	1.2	634	34.1-35.8	72	66	4.4
0.75	0.55	230	60	1.1	2.6	814	2.8	895	10.06-10.56	80	74	10.4
		380			1.5	809	1.7	890	23.47-24.64	76	70	6.0
		460			1.2	800	1.32	880	34.1-35.8	73	70	4.8
1.0	0.75	230	60	1.1	3.4	1066	3.7	1172	6.08-6.38	77	71	13.6
		380			2.2	1072	2.4	1179	13.14-13.79	77	71	8.8
		460			2.0	1070	2.2	1177	17.44-18.3	77	71	8.0
1.5	1.1	230	60	1.1	4.5	1464	4.9	1610	5.07-5.32	77	72	18.0
		380			2.7	1462	3.0	1608	9.63-10.11	81	75	10.8
		460			2.5	1536	2.7	1689	12.75-13.38	70	65	10.0
2.0	1.5	230	60	1.1	6.4	1959	7.0	2154	3.25-3.41	76	71	25.6
		380			3.7	1962	4.0	2158	7.44-7.81	81	75	14.8
		460			3.1	1960	3.41	2156	9.14-9.59	79	73	12.4
3.0	2.2	230	60	1.1	8.8	2894	9.7	3183	1.84-1.93	83	77	35.2
		380			5.8	2926	6.4	3218	4.07-4.27	81	75	23.2
		460			5.0	2956	5.5	3251	4.12-4.32	77	71	20.0
4.0	3.0	230	60	1.1	12.5	3998	13.7	4397	1.19-1.24	81	75	50.0
		380			8.6	4012	9.5	4413	2.58-2.70	81	75	34.4
		460			7.0	4056	7.7	4461	3.37-3.53	78	72	28.0
5.0	3.7	230	60	1.1	14.8	4921	16.2	5413	1.20-1.26	82	76	59.2
		380			9.8	4892	10.8	5381	2.58-2.70	82	76	39.2
		460			8.5	4896	9.3	5385	2.57-2.69	77	71	34.0
5.5	4.0	230	60	1.1	16.7	5468	18.3	6014	0.93-0.97	78	73	66.8
		380			11.5	5428	12.6	5970	1.78-1.86	80	74	46.0
		460			8.6	5275	9.4	5802	2.66-2.79	79	73	34.4
7.5	5.5	230	60	1.1	22.2	7476	24.4	8224	0.81-0.85	80	74	88.8
		380			14.0	7279	15.4	8006	1.66-1.74	82	76	56.0
		460			12.0	7194	13.2	7913	2.29-2.40	79	73	48.0
10.0	7.5	230	60	1.1	30.3	10305	33.3	11335	0.63-0.66	79	73	121.2
		380			18.6	10006	20.5	11006	1.45-1.52	83	77	74.4
		460			16.0	9812	17.6	10793	1.82-1.91	80	74	64.0

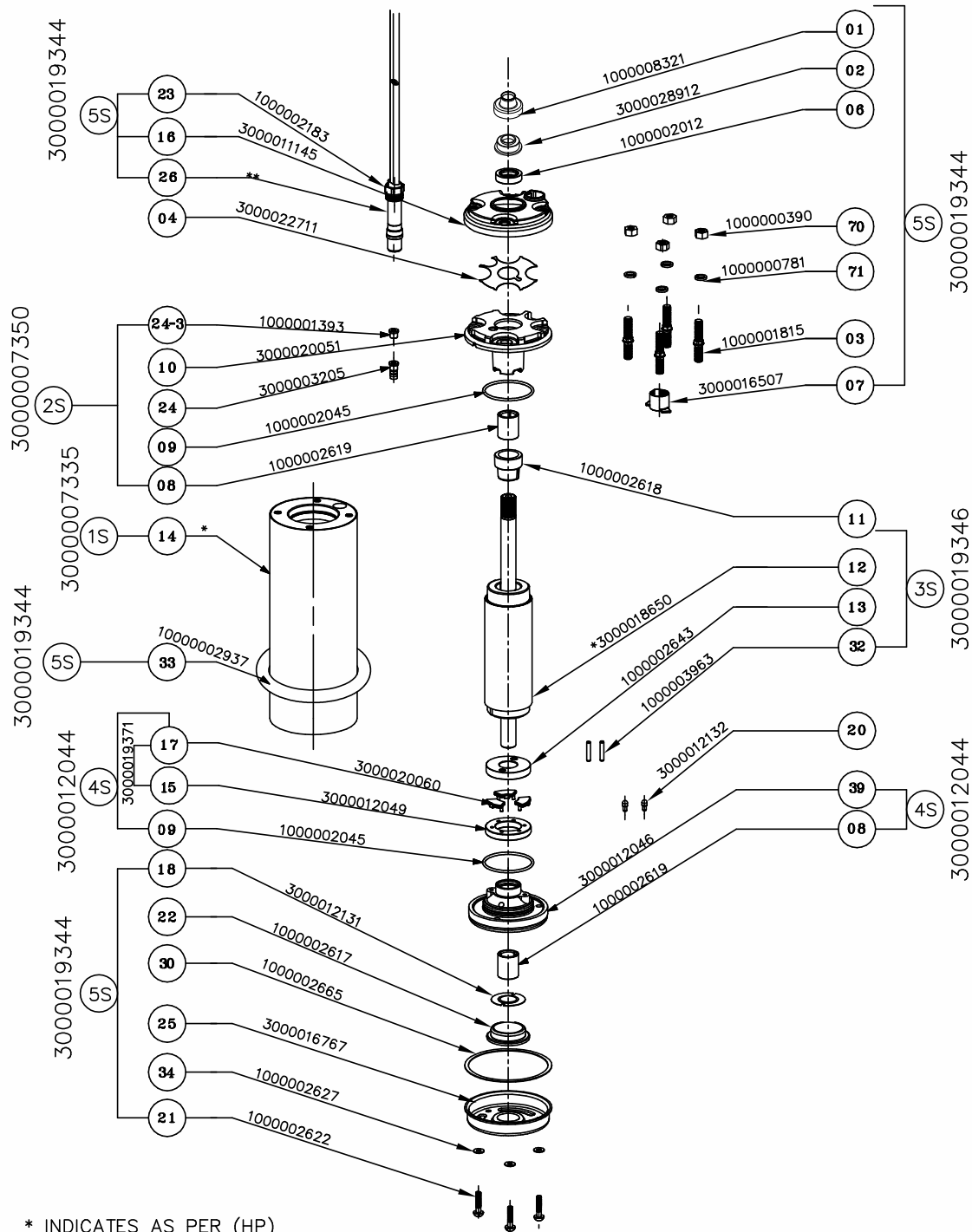
(1) Thrust rating for
 0.37 - 1.5 kW is 1500N
 2.2 - 7.5 kW is 6500N

4 INCH ENCAPSULATED PREMIUM MOTOR

EXPLODED VIEW PREMIUM 100

SUBMERSIBLE MOTORS			
Material	Stainless Steel 304/316	Rating	0.37 kW - 1.5 kW
Type	Encapsulated	Thrust Rating	1500 - 6500 N

EXPLODED VIEW PREMIUM - (0.5 to 2 HP)



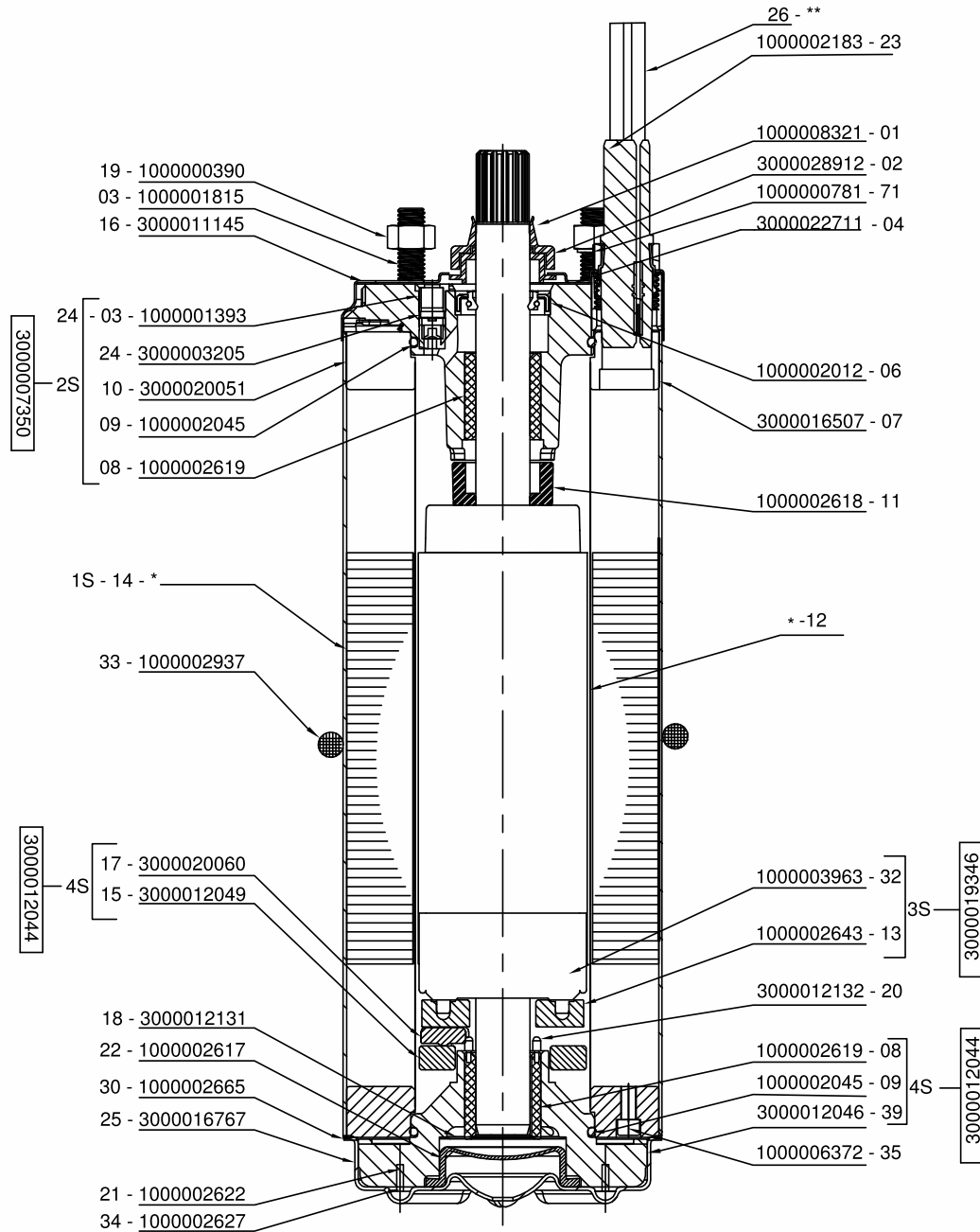
NOTE: - * INDICATES AS PER (HP)
 ** AS PER REQUIREMENT

4 INCH ENCAPSULATED PREMIUM MOTOR

SECTIONAL VIEW PREMIUM 100

SUBMERSIBLE MOTORS			
Material	Stainless Steel 304/316	Rating	0.37 kW - 1.5 kW
Type	Encapsulated	Thrust Rating	1500 - 6500 N

SECTIONAL VIEW
PREMIUM - (0.5 to 2 HP)



NOTE:-* INDICATES AS PER (HP)
** AS PER REQUIREMENT

4 INCH ENCAPSULATED PREMIUM MOTOR

PART LIST PREMIUM 100

SUBMERSIBLE MOTORS			
Material	Stainless Steel 304/316	Rating	0.37 kW - 1.5 kW
Type	Encapsulated	Thrust Rating	1500 - 6500 N

PART LIST PREMIUM - (0.5 to 2 HP)

GROUP	POS	MATERIAL CODE	PART DESCRIPTION	QTY	MATERIAL
	01	1000002031	SAND SLINGER	1	NBR
	02	3000017280	SAND WASHER	1	SS AISI-304
	05	1000002034	SEAL COVER	1	PPS
	06	1000002012	OIL SEAL	1	EPDM+ SS AISI 304
	19	1000000390	NUT	4	SS AISI-304
	71	1000000781	SPRING WASHER	4	SS AISI-304
	03	1000001815	STUD	4	SS AISI-304
	07	3000016507	CONNECTOR BOSS	1	NICKEL COATED
	36	3000022711	TOP GASKET	1	PU FOAM
	3S 3000019346	11	1000002618	SHAFT BUSH	1
12		*	ROTOR SUB ASSLY	1	N/A
13		1000002643	THRUST DISC	1	ANTIMONY CARBON
32		1000003963	BOTTOM PIN	2	SS AISI-304
4S 3000012044	39	3000012046	END BELL BOTTOM	1	CI FG-260
	08	1000002619	BUSH	1	CARBON
	20	3000012132	BOTTOM PIN	2	SS AISI-304
	23	1000002183	CONNECTOR LUG	1	SS AISI-304
	16	3000011145	TOP END BELL COVER	1	SS AISI-304
	26	**	CABLE	1	RUBBER
2S 3000007350	24-3	1000001393	FILTER	1	N/A
	10	3000020051	TOP END BELL	1	CI FG-260
	24	3000003205	PRESSURE RELIFE VALVE ASSLY	1	N/A
	09	1000002045	O-RING	1	NBR
	08	1000002619	BUSH	1	RESIN IMPREGNATED CARBON
1S 3000007335	14	*	STATOR SUB ASSLY	1	N/A
	35	1000006372	SS BALL DIA 8 MM	1	SS
	33	1000002937	RUBBER RING ID 90	1	RUBBER
4S 3000012044	17	3000020060	THRUST PAD	3	SS AISI-420
	15	3000012049	LEVELING DISC	1	MS+HARD CROM
	09	1000002045	O-RING	1	NBR
	18	3000012131	DIAPHRAM INSERT	1	SS AISI-304
	22	1000002617	DIAPHRAM	1	EPDM
	30	1000002665	GASKET BOTTOM	1	
	25	3000016767	BOTTOM ENDBELL COVER	1	SS AISI-304
	34	1000002627	PVC WASHER	3	PVC
	21	1000002622	ALLEN M5X32	3	SS AISI-304

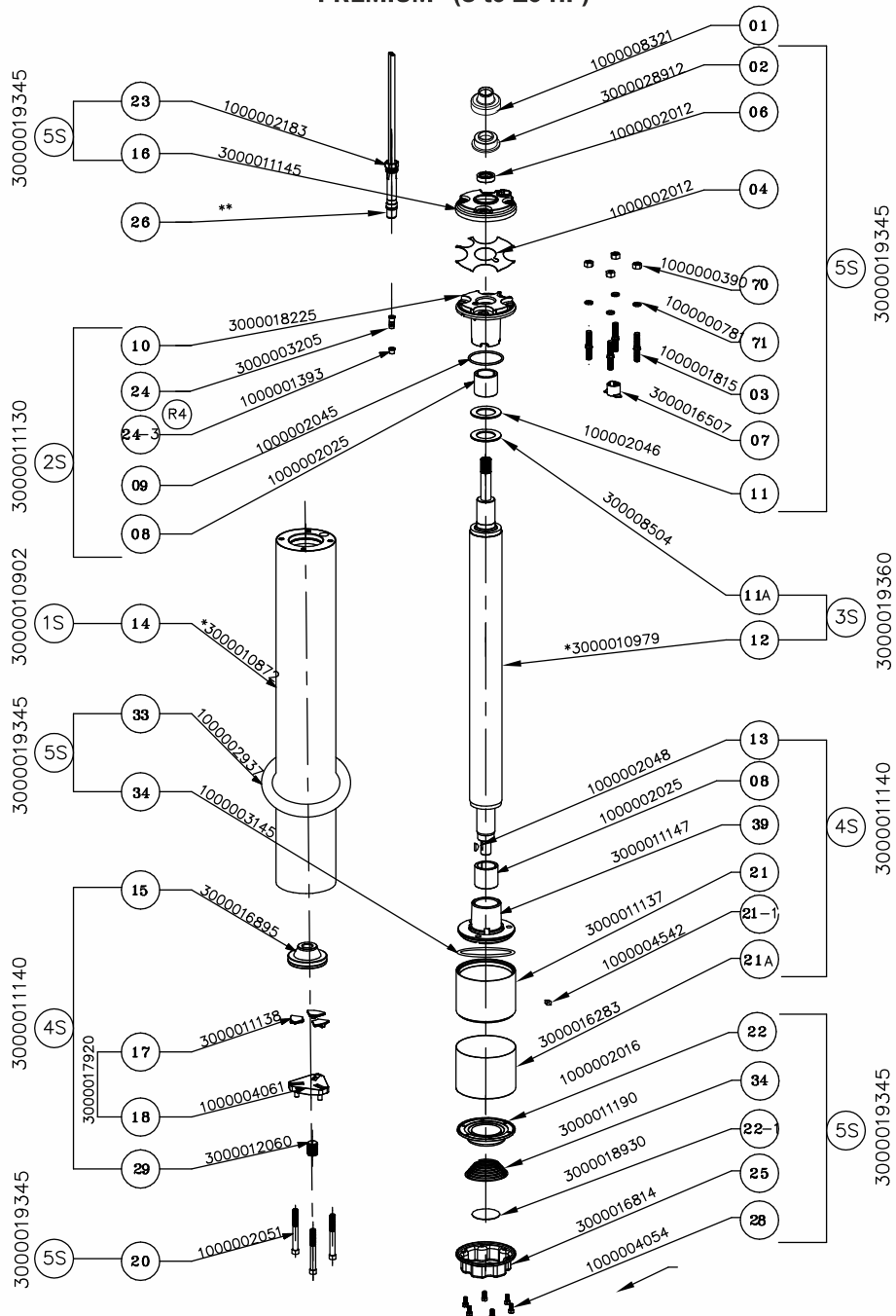
NOTE:-** AS PER REQUIREMENT

4 INCH ENCAPSULATED PREMIUM MOTOR

EXPLODED VIEW PREMIUM 101

SUBMERSIBLE MOTORS			
Material	Stainless Steel 304/316	Rating	2.2 kW - 7.5 kW
Type	Encapsulated	Thrust Rating	1500 - 6500 N

EXPLODED VIEW PREMIUM - (3 to 10 HP)



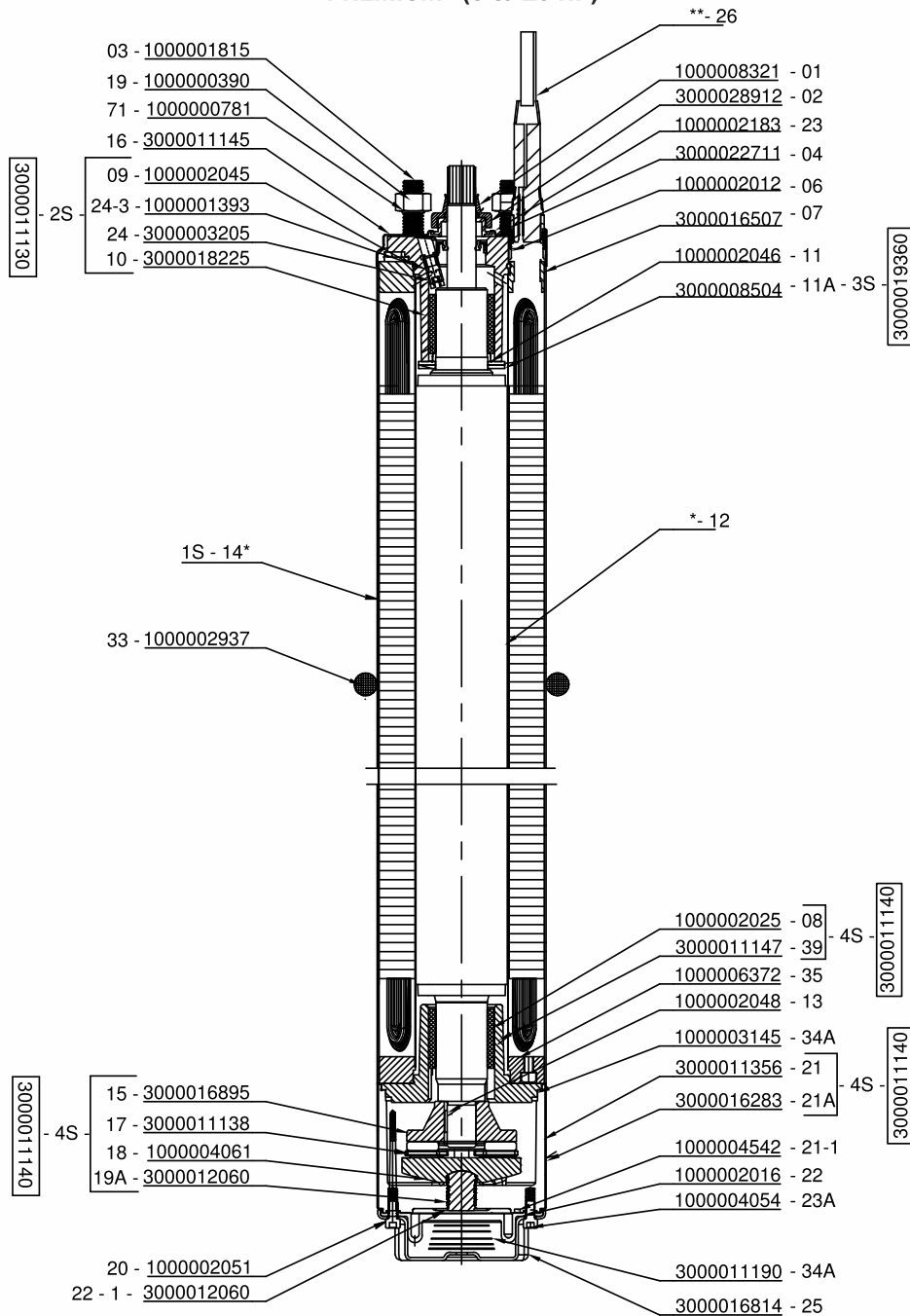
NOTE: - * INDICATES AS PER (HP)
 ** AS PER REQUIREMENT

4 INCH ENCAPSULATED PREMIUM MOTOR

SECTIONAL VIEW PREMIUM 101

SUBMERSIBLE MOTORS			
Material	Stainless Steel 304/316	Rating	2.2 kW - 7.5 kW
Type	Encapsulated	Thrust Rating	1500 - 6500 N

SECTIONAL VIEW PREMIUM - (3 to 10 HP)



NOTE:-* INDICATES AS PER (HP)

** AS PER REQUIREMENT

4 INCH ENCAPSULATED PREMIUM MOTOR

PART LIST PREMIUM 101

SUBMERSIBLE MOTORS			
Material	Stainless Steel 304/316	Rating	2.2 kW - 7.5 kW
Type	Encapsulated	Thrust Rating	1500 - 6500 N

PART LIST PREMIUM - (3 to 10 HP)

GROUP	POS	MATERIAL CODE	PART DESCRIPTION	QTY	MATERIAL	
	1	1000002031	SAND SLINGER	1	NBR	
	2	3000017280	SAND WASHER	1	SS AISI-304	
	5	1000002034	SEAL COVER	1	PPS	
	6	1000002012	OIL SEAL	1	EPDM+ SS AISI 304	
	19	1000000390	NUT	4	SS AISI-304	
	71	1000000781	SPRING WASHER	4	SS AISI-304	
	3	1000001815	STUD	4	SS AISI-304	
	7	3000016507	CONNECTOR BOSS	1	NICKEL COATED	
	11	1000002046	UP THRUST WASHER	1	PVC	
	36	3000022711	TOP GASKET	1	PU FOAM	
	3S 3000019360	11A	3000008504	SS WASHER	1	SS AISI-304
		12	*	ROTOR SUB ASSLY	1	N/A
4S 3000011140	21-1	1000004542	MAGNET	1	MAGNET	
	8	1000002025	BUSH CARBON	1	RESIN IMPREGNATED CARBON	
	39	3000011147	BOTTOM END BELL	1	CI FG-260	
	21	3000011136	THRUST HOUSING	1	CI FG-260	
	21A	3000016283	THRUST HOUSING PIPE	1	SS AISI-304	
	34	3000011190	DIAPHRAGM SPRING	1	SS	
	13	1000002048	WOODRUFF KEY	1	EN8	
	22	1000002016	DIAPHRAGM	1	EPDM	
	22-1	3000018930	DIAPHRAGM PLATE	1	SS AISI-304	
	25	3000016814	DIAPHRAGM COVER	1	SS AISI-304	
	23A	1000004054	ALLEN BOLT M5X12 MM	6	SS AISI-304	
	23	1000002183	CONNECTOR LUG	1	SS AISI-304	
	16	3000011145	TOP END BELL COVER	1	SS AISI-304	
	26	**	CABLE	1	RUBBER	
2S 3000011130	10	3000018225	TOP END BELL	1	CI FG-260	
	24	3000003205	PRESSURE RELIEF VALVE ASSLY	1	N/A	
	24-3	1000001393	FILTER	1	PP	
	9	1000002045	O-RING	1	NBR	
	8	1000002025	BUSH CARBON	1	CARBON	
1S 3000010902	14	*	STATOR SUB ASSLY	1	N/A	
	35	1000006372	SS BALL DIA 8 MM	1	SS	
	33	1000002937	RUBBER RING ID 90	1	RUBBER	
	34A	1000003145	GASKET PREM	1	OIL PAPER	
4S 3000011140	15	3000016895	THRUST DISC ASSLY	1	CI FG-260	
	17	3000011138	SEGMENT	3	SS AISI-420	
	18	1000004061	LEVELING DISK	1	SS AISI 410	
	19A	3000012060	ADJUSTING STUD	1	SS AISI-410	
	20	1000002051	ALLEN BOLT M8X70MM	3	SS AISI-304	

NOTE:- * INDICATES AS PER (HP)
** AS PER REQUIREMENT

4 INCH ENCAPSULATED PREMIUM MOTOR

REPLACEMENT ASSEMBLY - PREMIUM 100/ 101

SUBMERSIBLE MOTORS			
Material	Stainless Steel 304/316	Rating	2.2 kW - 7.5 kW
Type	Encapsulated	Thrust Rating	1500 - 6500 N

ENCAPSULATED PREMIUM MOTOR REPLACEMENT ROTORS ASSLY

POS	P _N	P _N	ROTOR MODEL NO
	[HP]	[KW]	
12.01	0.5	0.37	3000019346
12.02	0.75	0.55	3000019347
12.03	1.0	0.75	3000019348
12.04	1.5	1.1	3000019349
12.05	2.0	1.5	3000019350
12.06	3.0	2.2	3000019351
12.07	4.0	3.0	3000019352
12.08	5.0	3.7	3000019360
12.09	5.5	4.0	3000019353
12.1	7.5	5.5	3000019354
12.11	10.0	7.5	3000019355

REPLACEMENT STATOR ASSEMBLY 1Ø 230V/50Hz/60Hz

POS	P _N	P _N	STATOR MODEL NO	STATOR MODEL NO
	[HP]	[KW]	230V/50Hz	230/60Hz
14.01	0.5	0.37	3000007340	3000007345
14.02	0.75	0.55	3000007341	3000007346
14.03	1.0	0.75	3000007342	3000007347
14.04	1.5	1.1	3000007343	3000007348
14.05	2.0	1.5	3000018863	3000018865
14.06	3.0	2.2	3000018864	3000018866
14.07	4.0	3.0	-	3000010925
14.08	5.0	3.7	3000010920	3000010926
14.09	5.5	4.0	3000010921	-

REPLACEMENT STATOR ASSEMBLY 3Ø - 220V/380V/415V 60Hz

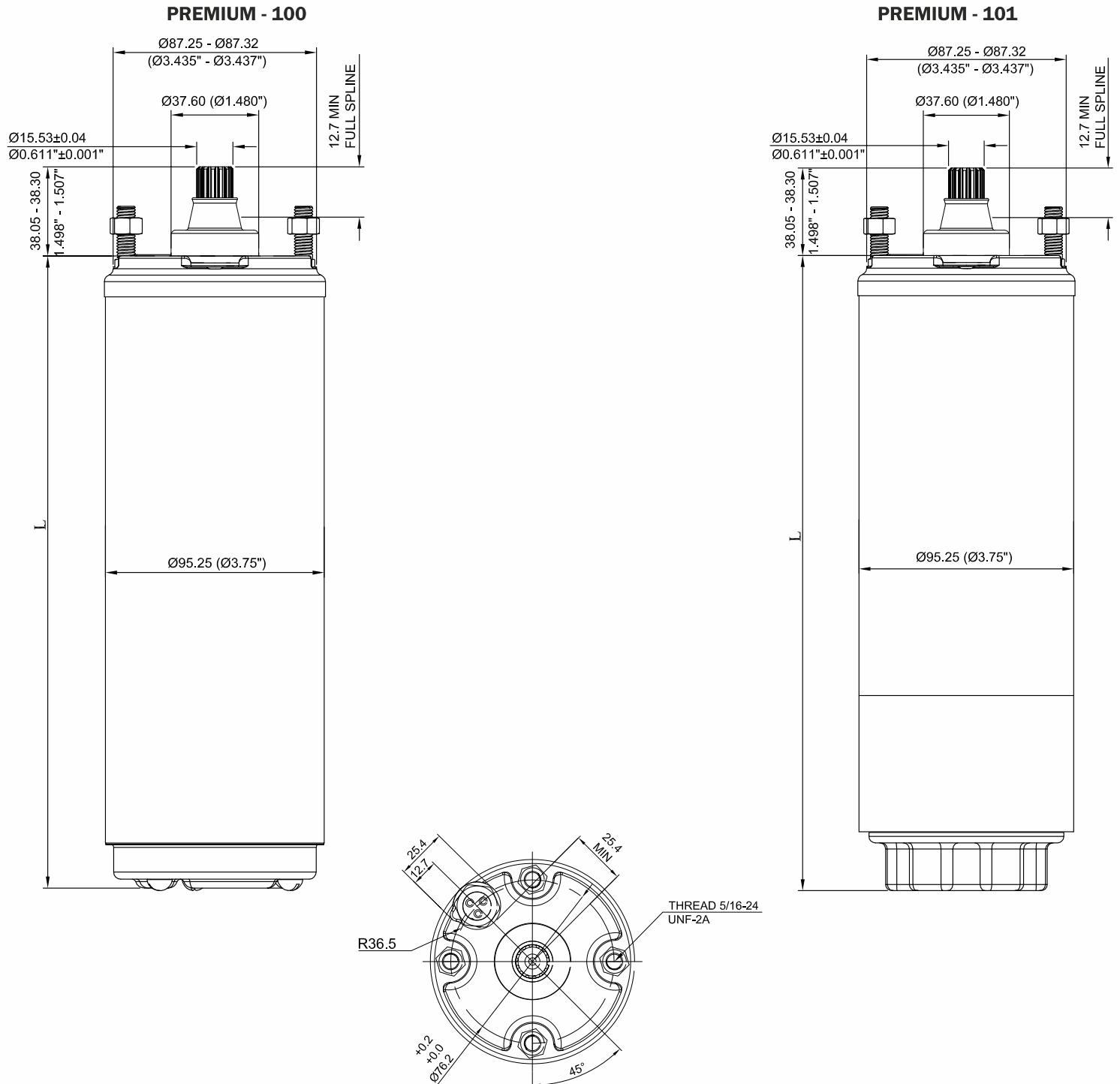
POS	P _N	P _N	STATOR MODEL NO		
	[HP]	[KW]	220V/60Hz	380V/60Hz	415 V/60Hz
14.01	0.5	0.37	3000019086	3000019096	3000007335
14.02	0.75	0.55	3000019087	3000019097	3000007336
14.03	1.0	0.75	3000019088	3000019098	3000007337
14.04	1.5	1.1	3000019089	3000019099	3000007338
14.05	2.0	1.5	3000019090	3000019100	3000007339
14.06	3.0	2.2	3000018858	3000018861	3000018855
14.07	4.0	3.0	3000018859	3000018862	3000018856
14.08	5.0	3.7	3000010908	3000010914	3000010902
14.09	5.5	4.0	3000010909	3000010915	3000010903
14.1	7.5	5.5	3000010910	3000010916	3000010904
14.11	10.0	7.5	3000010911	3000010917	3000010905

4 INCH ENCAPSULATED PREMIUM MOTOR

OUTLINE DIAGRAM - PREMIUM 100/ 101

SUBMERSIBLE MOTORS			
Material	Stainless Steel 304/316	Rating	0.37 kW - 7.5 kW
Type	Encapsulated	Thrust Rating	1500 - 6500 N

OUTLINE DIAGRAM PREMIUM - (0.5 to 10 HP)



4 INCH ENCAPSULATED PREMIUM MOTOR

MOTOR LENGTH & WEIGHT - PREMIUM 100/ 101

SUBMERSIBLE MOTORS				
Material	Stainless Steel 304/316		Rating	0.37 kW - 7.5 kW
Type	Encapsulated		Thrust Rating	1500 - 6500 N

LENGTH & WEIGHTS (SINGLE PHASE)

SS AISI 304				
P _N	P _N	L	Motor Package Size	Shipping
[HP]	[KW]	[MM]	[MM]	Weight [kg]
0.5	0.37	242	92X92X500	9.96
0.75	0.55	291	92X92X500	11.00
1	0.75	291	92X92X500	11.00
1.5	1.1	339	92X92X550	15.00
2	1.5	404	92X92X600	17.00
3	2.2	538	92X92X800	24.00
4	3	690	92X92X800	31.00

SS AISI 316				
P _N	P _N	L	Motor Package Size	Shipping
[HP]	[KW]	[MM]	[MM]	Weight [kg]
0.5	0.37	242	90X90X500	9.96
0.75	0.55	291	90X90X500	11.00
1	0.75	291	90X90X500	11.00
1.5	1.1	339	90X90X550	15.00
2	1.5	404	90X90X600	17.00
3	2.2	538	90X90X800	24.00
4	3	690	90X90X800	31.00

LENGTH & WEIGHTS (SINGLE PHASE)

SS AISI 304				
P _N	P _N	L	Motor Package Size	Shipping
[HP]	[KW]	[MM]	[MM]	Weight [kg]
5	3.7	690	92X92X1000	31.00

SS AISI 316				
P _N	P _N	L	Motor Package Size	Shipping
[HP]	[KW]	[MM]	[MM]	Weight [kg]
5	3.7	690	92X92X1000	31.00

LENGTH & WEIGHTS (THREE PHASE)

SS AISI 304				
P _N	P _N	L	Motor Package Size	Shipping
[HP]	[KW]	[MM]	[MM]	Weight [kg]
0.5	0.37	271	92X92X500	11.00
0.75	0.55	271	92X92X500	11.00
1	0.75	291	92X92X500	12.00
1.5	1.1	339	92X92X550	15.00
2	1.5	404	92X92X550	17.00
3	2.2	538	92X92X800	24.00
4	3	578	92X92X900	26.00
5	3.7	578	92X92X900	26.00

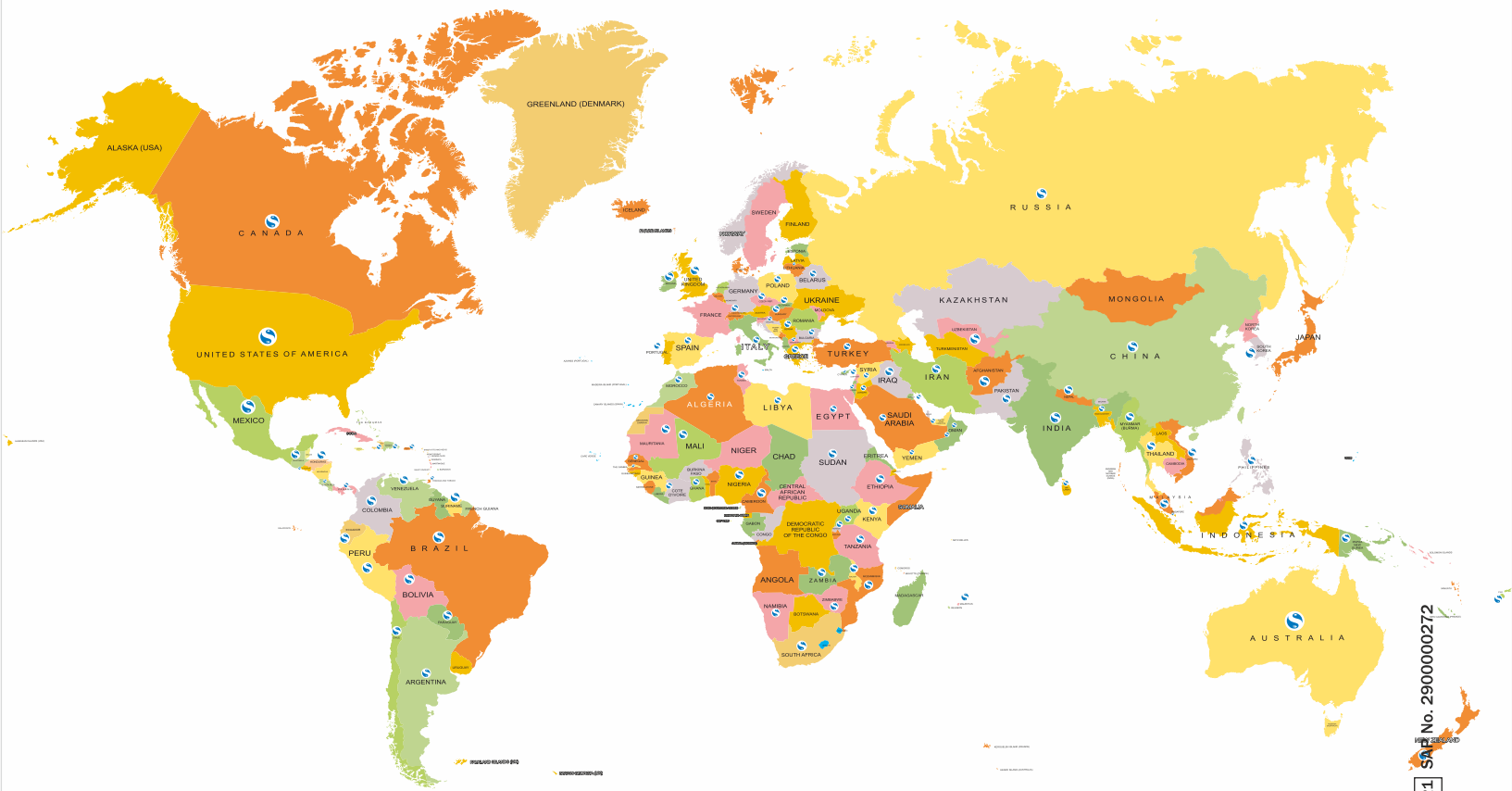
SS AISI 316				
P _N	P _N	L	Motor Package Size	Shipping
[HP]	[KW]	[MM]	[MM]	Weight [kg]
0.5	0.37	271	92X92X500	11.00
0.75	0.55	271	92X92X500	11.00
1	0.75	291	92X92X500	12.00
1.5	1.1	339	92X92X550	15.00
2	1.5	404	92X92X600	17.00
3	2.2	538	92X92X800	24.00
4	3	578	92X92X900	26.00
5	3.7	578	92X92X900	26.00

LENGTH & WEIGHTS (THREE PHASE)

SS AISI 304				
P _N	P _N	L	Motor Package Size	Shipping
[HP]	[KW]	[MM]	[MM]	Weight [kg]
5.5	4	690	92X92X1000	31.00
7.5	5.5	767	92X92X1100	35.00
10	7.5	825	92X92X1100	38.00

SS AISI 316				
P _N	P _N	L	Motor Package Size	Shipping
[HP]	[KW]	[MM]	[MM]	Weight [kg]
5.5	4	690	92X92X1000	31.00
7.5	5.5	767	92X92X1100	35.00
10	7.5	825	92X92X1100	38.00

* Single motor pack



Nov./2020-21/L9/000 VC - 0000 SA No. 2900000272



India : Toll Free No. 1800 103 5555

Other Countries : +91-7292 410500

SHAKTI PUMPS (INDIA) LIMITED

Plot No. 401, 402, & 413, Industrial Area, Sector - 3, Pithampur, Dist. Dhar - 454774 (M.P.) India
 Fax: +91-7292 410645, E-mail: info@shaktipumps.com, sales@shaktipumps.com,
 Visit us at : www.shaktipumps.com